

NOTE:

CONSTRUCTION TOLERANCES:

- +10 mm OVERALL FOR WIDTH
- +50 mm HEIGHT

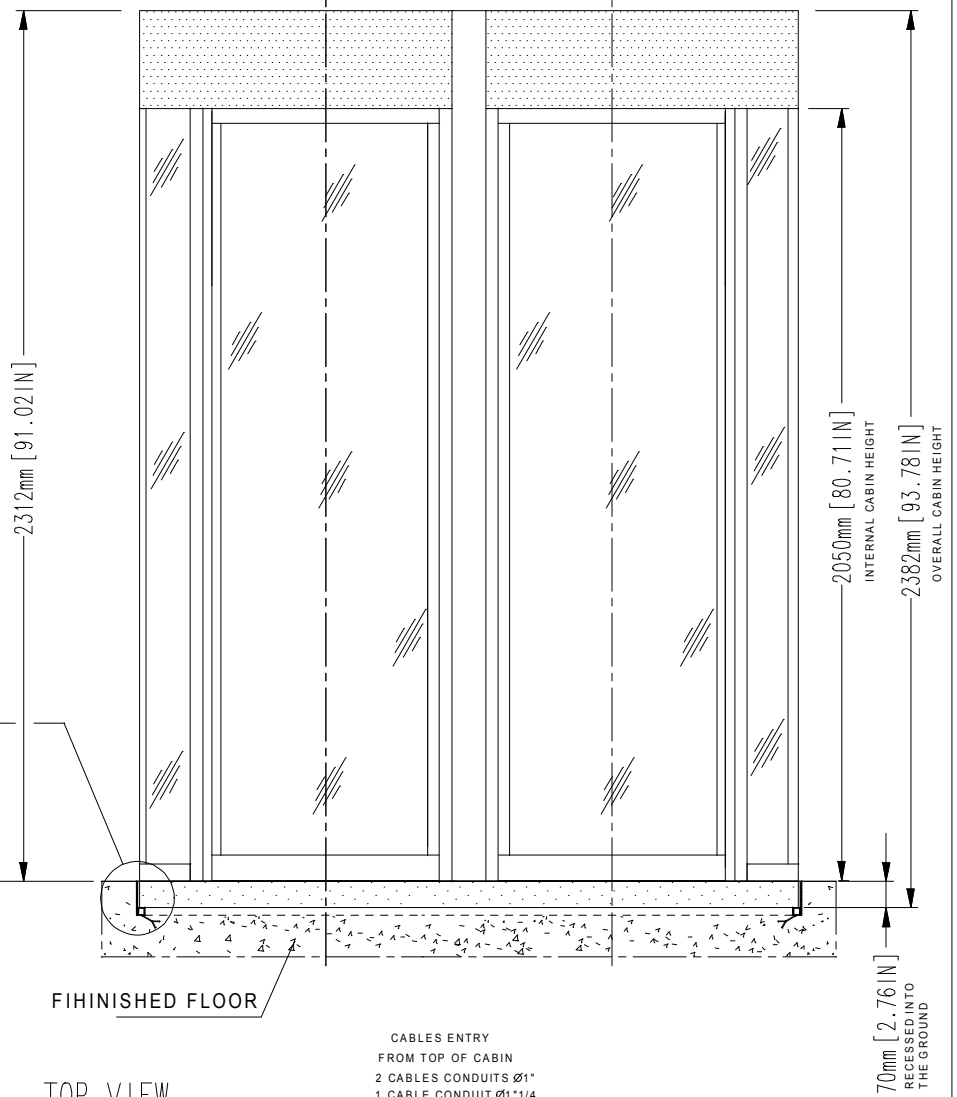
INSTALLATION REQUIREMENT

SPACE FOR MAINTENANCE ABOVE TOP OF THE CABIN ON THE INTERNAL SIDE:

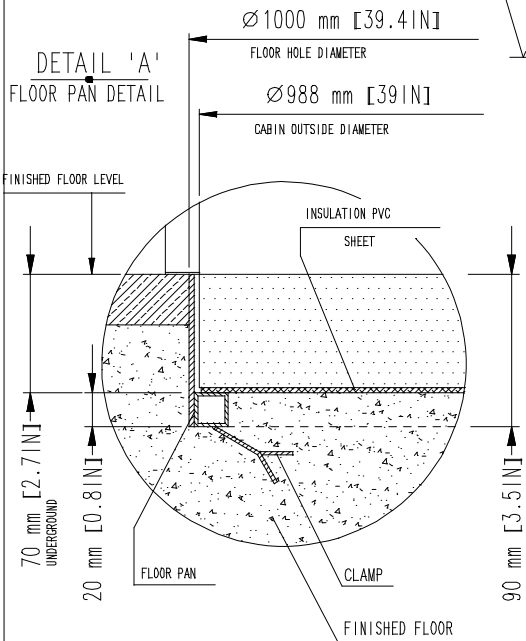
- MIN. 300 mm [11.81"]
- RECOMMENDED 750 mm [29.53"]
- If space does not meet the required specifications contact us to discuss alternatives

- Unit must be fixed into suitable frame and finished by others

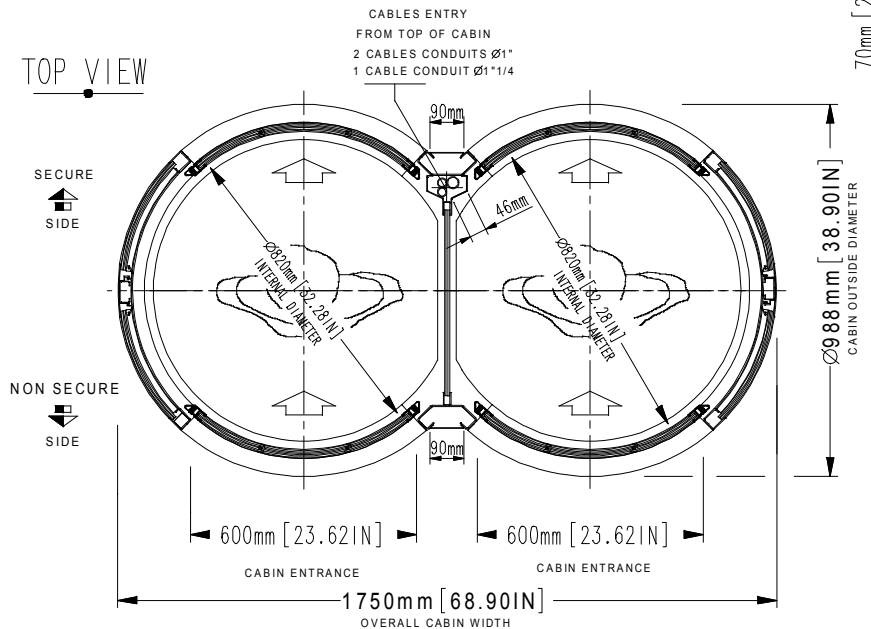
FRONT VIEW
NON SECURE SIDE



DETAIL 'A'
FLOOR PAN DETAIL




TOP VIEW



NOTE:

- unit must be installed on to a level floor (suggested flatness tolerance: ± 1 mm)
- coating option: 2 mm thickness in addition to size

REV	DATE	REVISION DESCRIPTION	DRAWN BY
DRAWN BY: L. BERTAZZO		DESIGNED AND MANUFACTURED BY:	DISTRIBUTED BY:
DATE: 05/12/2018		 <p>designed for your security</p>	
DRAWING NUMBER: EARC453			
REVISION: 0		TITLE/DESCRIPTION	
SCALE: 1:20		C4 - C4K MY16	<i>Cabin recessed into the floor (ramp or floor pan required)</i>
PAGE 1 OF 1			<i>Overall dimensions and mechanical installation requirement</i>

THIS DOCUMENT IS AN ALLUSER INDUSTRIE PROPERTY AND IT CANNOT BE COPIED OR TRANSFERRED TO THIRD PARTIES WITHOUT A PREVIOUS WRITTEN AUTHORIZATION. DUE TO OUR POLICY OF CONTINUOUS PRODUCT DEVELOPMENT, ALL DIMENSIONS AND SPECIFICATIONS DESCRIBED IN THIS DOCUMENT ARE SUBJECT TO CHANGE WITHOUT NOTICE.